

# SKIP PER 130

NC MACHINING  
CENTRE



# PERSONALISATION IN REAL TIME



## THE MARKET EXPECTS

a change in production processes to meet the increasing demand for **customer specific products whilst maintaining quick and defined delivery times.**

## BIESSE RESPONDS

with technological solutions able to meet the requirements of contract manufacturers, notably reducing their production costs.

**Skipper 130** is an NC machining centre that allows the processing of panels of completely different formats in sequence, and without interruptions. It's ideal for the nonstandard production of large companies, for producing small batches for third parties, and for those requiring just-in-time flexible production.



## **SKIPPER 130**

- PROCESSES IN REAL TIME, WITHOUT INTERRUPTIONS OR ANY NEED FOR MANUAL INTERVENTIONS
- HIGH PRODUCTIVITY, THANKS TO THE COMPLETE AND SIMULTANEOUS MACHINING OF 2 PANELS (ON ALL 6 PANEL FACES)
- MAXIMUM PERFORMANCE FOR EVERY FUNCTION, WHETHER DRILLING OR DOWELLING
- USER-FRIENDLY

# PROCESSING OF DIFFERENT SHAPES IN SEQUENCE

Skipper 130 is revolutionary. It can machine all 6 panel faces simultaneously in one single step (including dowel insertion).



Complete flexibility for machining panels of different thicknesses and sizes. Simultaneous, continuous machining operations on both the upper part and the lower part, without the need to feed the panels through the machine several times.



Skipper can easily perform "through" operations without any risk of splintering the material. It also processes "breathable" materials and very small pieces perfectly.



Maximum hold on panels of any material and shape, thanks to the panel clamping system using automatically positioned vices.

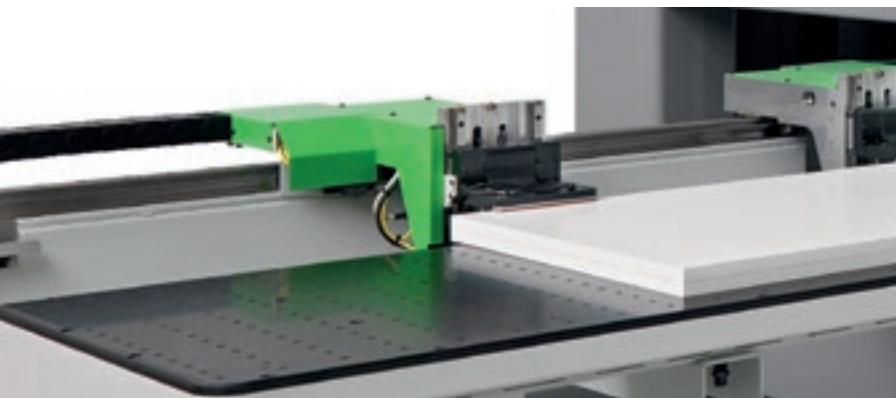


To start, you just need the work program; no tools, adjustments or tests are necessary because the panel is clamped using automatically positioned vices.



The 41+ 41 independent spindles guarantee first class performance.

Easy, quick tooling of both units.



The piece size measuring system verifies the exact thickness of the panels in real time, automatically adjusting the machining depth as necessary.



Automatic repositioning of the vices during the machining operation.

**NO NEED FOR  
TOOLING OPERATIONS  
OR ADDITIONAL  
ADJUSTMENTS:  
SKIPPER 130 IS ALWAYS  
READY FOR USE.**

# REAL TIME MACH INING

## IMMEDIATE PRODUCTIVITY

**Long term reliability and precision.**

**Material transformation cost reduction of over 60%.**

**Maximum yield for batch 1 production.**

**Easy use for everyone.**

2 powerful opposing operating sections with 41+41 independent spindles machine 2 overlapping panels simultaneously, thereby doubling productivity levels. Skipper moves the panels in X and Y on an air cushion surface, in relation to the fixed tools. The panels move between two air cushions, processing one single panel or 2 mirrored panels simultaneously.

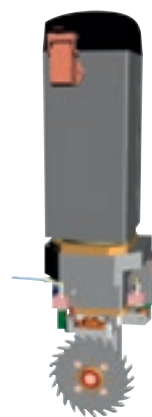
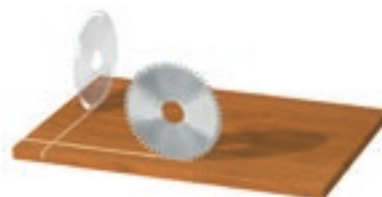


# MAXIMUM PERFORMANCE FOR EVERY FUNCTION

Full panel customisation with drilling, horizontal milling, channels and scoring.



Blade units indexed 0-90° in the X and Y direction.



Blade units for milling operations and channels in the X direction.



Electrospindles with ISO30 coupling for changing the milling tools quickly and easily.



Drilling and horizontal milling on the 6th side.



**THE MACHINE CAN BE FITTED  
WITH ONE OR TWO INDEPENDENT  
HORIZONTAL UNITS.**

# FULL CUSTOMISATION

The panel emerges finished and fully machined, complete with dowels and therefore ready to be assembled or packed.



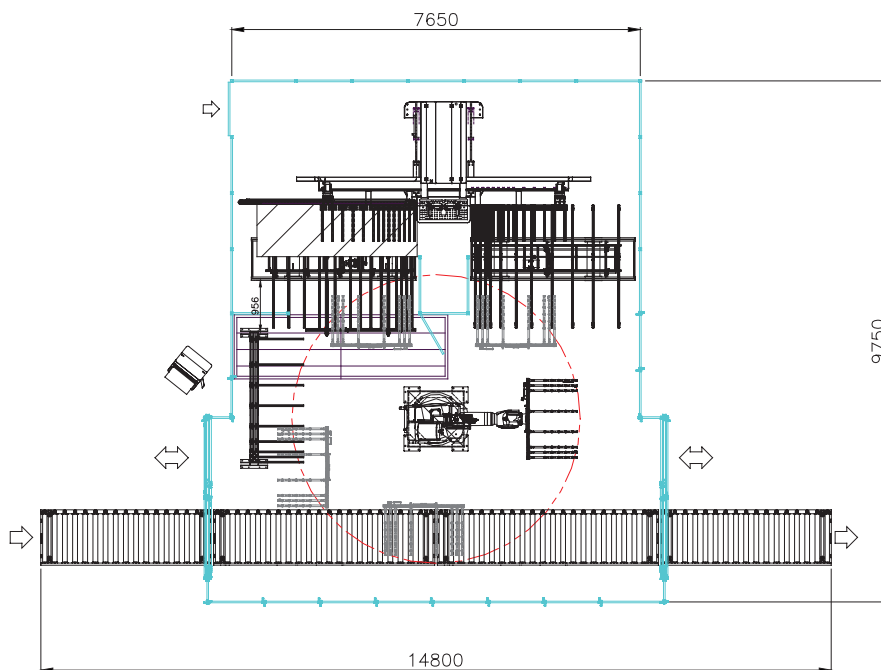
System of glue injection and dowel insertion with two opposing units, for machining the two ends of the panel.



# INTEGRATION IN LINE PROCESSES

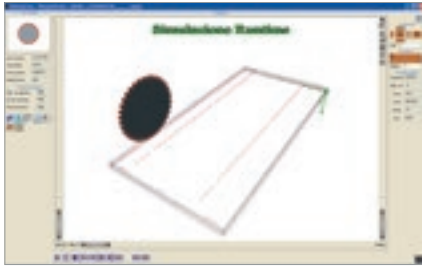


Reduced loading times, thanks to the system that automatically positions the panels up against the stops.



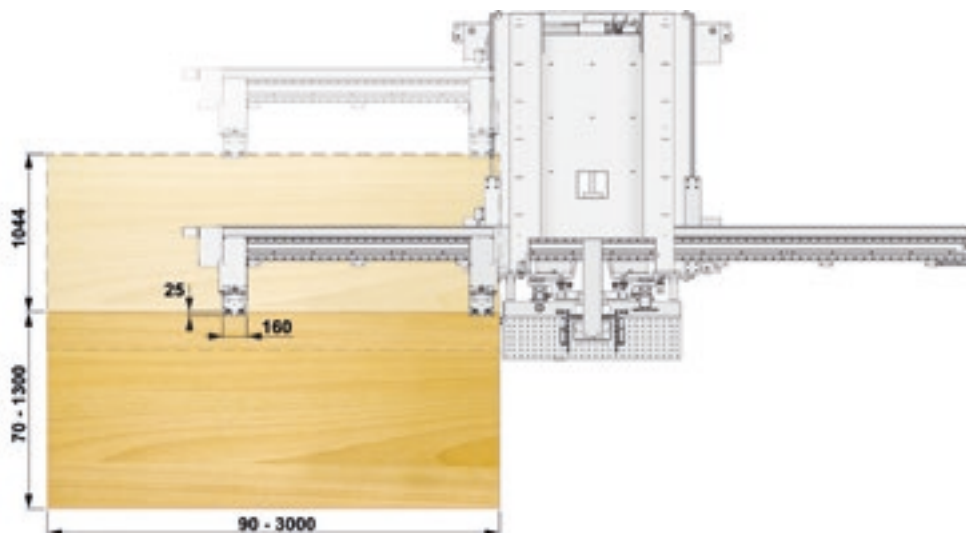
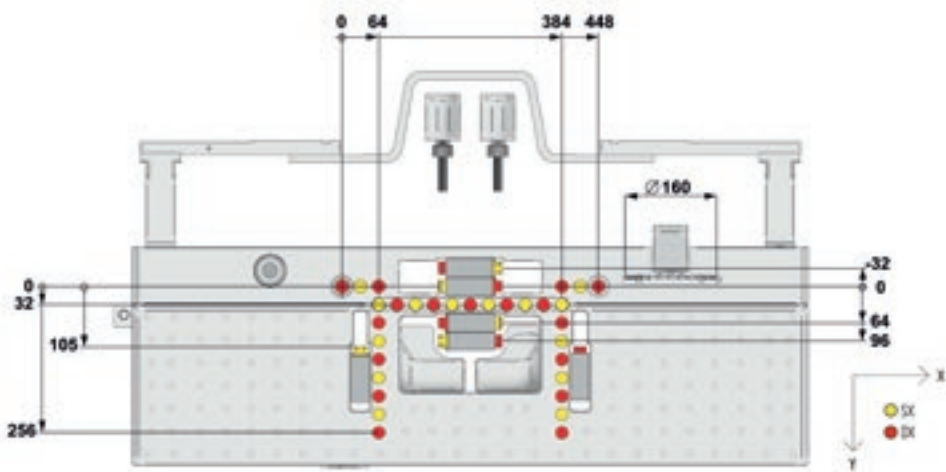
Skipper 130 can easily be integrated in a cell with a robot or with automatic loading/unloading systems.

# USER-FRIENDLY

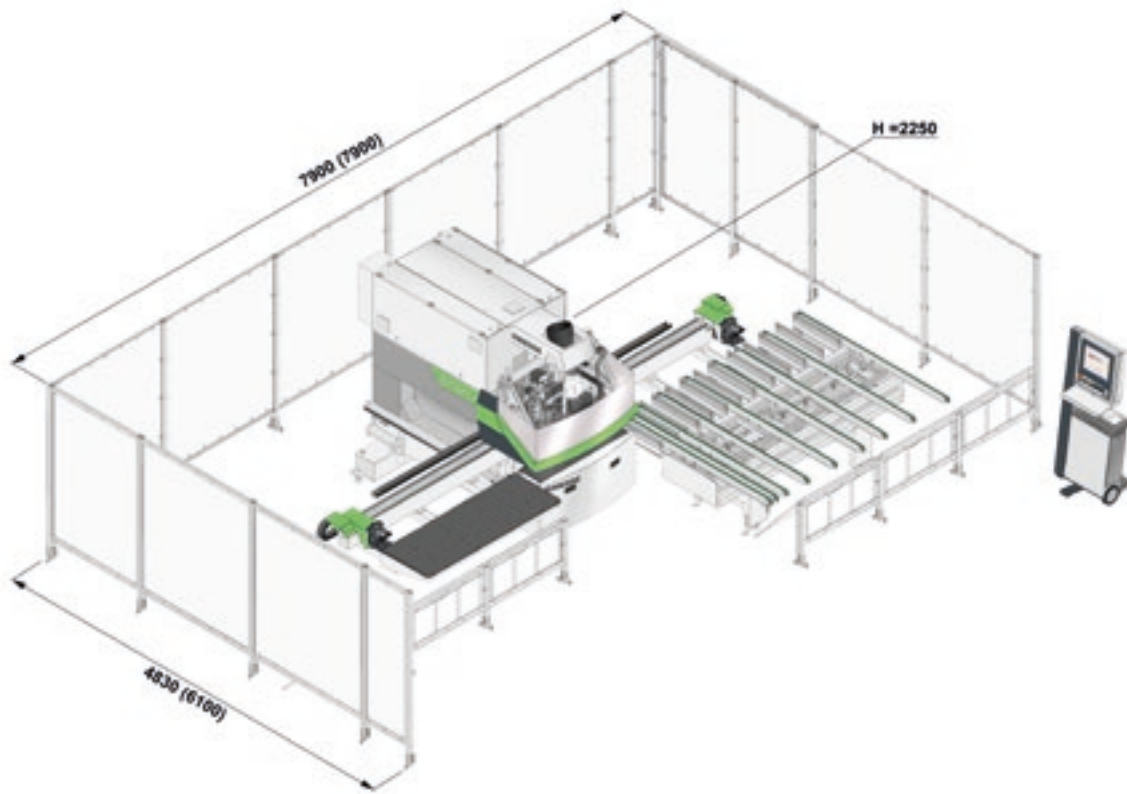


An extremely powerful yet user-friendly operator interface that allows quick decisions and automatically optimises the cycle on the basis of the tools available, to minimise work times.

BiesseWorks is the system for programming Biesse machines, combining high performance with remarkable ease of use. The interface can be customised to meet to user requirements.



# TECHNICAL SPECIFICATIONS



## SKIPPER 130

Length of machinable panels (min/max)	mm - inch	90 / 3000 - 3.5 / 118.1
Width of machinable panels (min/max)	mm - inch	70 / 1300 - 2.7 / 51.2
Thickness of machinable panels (min/max)	mm - inch	8 / 90 - 0.3 / 3.5
Vertical drilling spindles (above+below)		31
Drilling spindle rotation speed (max)	rpm/min	6000
Horizontal drilling spindles in X (above+below)		8 + 8
Horizontal drilling spindles in Y (above+below)		2 + 2
Electrospindle (above+below)	kW	4.5 - 1 + 1
Electrospindle rotation speed (min-max)	rpm/min	1000 / 24000
Blade unit diam.160 mm (above+below)		1 + 1
Horizontal drilling spindles in Y+ (below)		1 - 2
Glue-dowel insertion unit (above) in X		2

The technical specifications and drawings are non-binding. Some photos may show machines equipped with optional features. Biesse Spa reserves the right to carry out modifications without prior notice.

### Operating conditions:

Milling: 1 electrospindle, feed: 6m/min, rotation: 18000 rpm, Ø 16mm, depth: 5mm, material: chipboard. Sound pressure level on operator workstation (LpA) 81.5 dB (A). Superficial weighted noise level A (LwA) 103.6 dB (A). Boring: 1 boring unit, feed: 3m/min, rotation: 6000 rpm, Ø 8mm, depth: 10mm, material: chipboard. Weighted sound pressure level A in: Operator workstation LpFA 82 dB (A). Loading/unloading position LpFA 79 dB (A). Operating conditions: profiling of alder solid wood, thickness: 78 mm. Uncertainty factor K = 4 dB (A). The measurement was carried out in compliance with UNI EN ISO 3746, UNI EN ISO 11202, UNI EN 848-3 and subsequent modifications. The noise levels shown are emission levels and do not necessarily correspond to safe operation levels. Even though there is a relation between emission levels and exposure levels, this cannot be used reliably to establish whether further precautions are necessary.

The factors determining the noise levels to which the operative personnel are exposed include the length of exposure, the characteristics of the work area, as well as other sources of dust and noise, etc. (i.e. the number of machines and processes concurrently operating in the vicinity). In any case, the information supplied will help the user of the machine to better assess the danger and risks involved.

# INDUSTRY 4.0 READY



**Industry 4.0 is the new industry frontier, based on digital technologies and on machines that speak to companies. The products driving this revolution can communicate and interact independently within production processes, which in turn are connected via intelligent networks.**

Biesse's commitment is to transform our customers' factories with real-time technology, ready to guarantee digital manufacturing opportunities, with smart machines and software packages becoming vital tools that facilitate the daily tasks of people all over the world processing glass, stone, metal and more. Our philosophy is a practical one: to supply entrepreneurs with solid data that can help them to lower their costs, optimise their processes and improve their results.

**And that means being 4.0 ready.**

# MADE WITH BIESSE

## BIESSE GROUP TECHNOLOGIES JOIN FORCES WITH LAGO'S INNOVATION AND TOTAL QUALITY MANAGEMENT PROCESSES

In the crowded world of domestic design, Lago takes its place as an emerging brand, thanks to a collection of stimulating products and a corporate philosophy that embraces the interaction between business and art, coupled with on-going research into sustainable development. "We created a number of projects, or rather, concepts - states Daniele Lago - that have shaped Lago as we see it today: we saw design as a cultural vision that applies not only to individual products, but rather to the entire business chain".

"Flexibility is the key word here at Lago" says Carlo Bertacco, Manufacturing

Manager. "We started to introduce the concept of processing only outstanding orders, which enabled us to reduce our footprint and empty the site from the very beginning".

"The machinery that we purchased - states Bertacco - is great, it entailed a limited investment versus the capabilities it offers and is linked to a specific manufacturing approach. What I am talking about is a given manufacturing volume with Lago-standard quality levels and the possibility of customising as late as possible, at the customer's request: in short, the very basic principles of lean manufacturing".

*Source: IDM Industria del Mobile  
Lago, our customer since 1999, is one of most  
prestigious Italian furniture brands in the world.*

LAGO.IT



# CUSTOMER CARE IS WHO WE ARE

**SERVICES** is a new experience for our customers, to offer not just excellent technology but the added value of an increasingly direct connection with the company, the professionals who work there and the experience they embody.



## **ADVANCED DIAGNOSTICS**

Digital channels for remote interaction online 24/7. Always ready to intervene on-site seven days a week.



## **A WORLDWIDE NETWORK**

39 branch offices, over 300 certified agents, retailers in 120 countries, and spare parts warehouses in America, Europe and the Far East.



## **SPARE PARTS AVAILABLE IMMEDIATELY**

Identification, shipping and delivery of spare parts for every need.



## **EVOLVED TRAINING OPPORTUNITIES**

Lots of on-site, online and classroom training modules for personalised growth.



## **VALUABLE SERVICES**

A wide range of services and software packages to help our customers achieve continuous improvements in performance.



## AN EXCELLENT LEVEL OF SERVICE

**+550**

HIGHLY SPECIALISED  
TECHNICIANS AROUND  
THE WORLD, READY TO HELP  
CUSTOMERS WITH EVERY  
NEED

**90%**

OF MACHINE DOWN CASES  
WITH RESPONSE TIME  
UNDER 1 HOUR

**+100**

EXPERTS IN DIRECT  
CONTACT THROUGH  
REMOTE CONNECTIONS  
AND TELESERVICE

**92%**

OF SPARE PARTS ORDERS  
FOR MACHINE DOWNTIME  
PROCESSED WITHIN 24  
HOURS

**+50.000**

ITEMS IN STOCK IN THE  
SPARE PARTS WAREHOUSES

**+5.000**

PREVENTIVE MAINTENANCE  
VISITS

**80%**

OF SUPPORT REQUESTS  
SOLVED ONLINE

**96%**

OF SPARE PARTS ORDERS  
DELIVERED IN FULL ON TIME

**88%**

OF CASES SOLVED WITH  
THE FIRST ON-SITE VISIT

Founded in Italy,  
international native.

We simplify your  
manufacturing  
to make the process  
of any material



ur  
g process  
potential  
I shine.

We are an international company that manufactures integrated lines and machines to process wood, glass, stone, plastic and composite materials and what will come next.

Thanks to our rooted competence nurtured by an ever-growing worldwide network, we support your business evolution – empowering your imagination.

**Master of materials, since 1969.**

Join the  
Biesse world.

[biesse.com](https://www.biesse.com)



